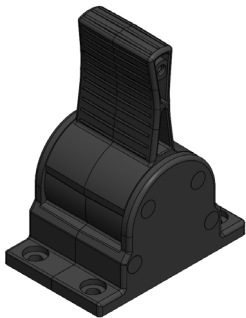


Joystick MSA1 SMJ, one axis

(Part-No. 2.257.15xx)



- Small, handy, compact and robust
- Protection class IP65
- Ergonomic control knob
- Suitable for small installation spaces
- Industrial joystick for machines, robots, etc.
- Optionally with bellows
- SMJ-Technology – Joystick change without special tools

Technical data

Electrical data

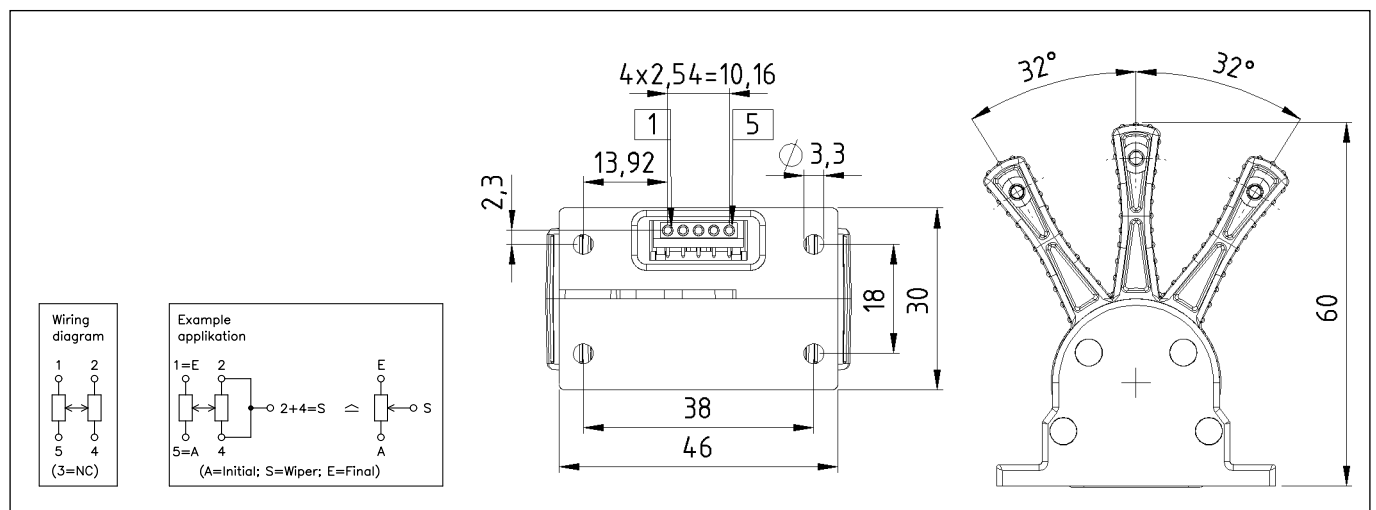
Resistance values	5 kΩ (1 + 5/2 + 4)
Resistance tolerance	± 30 %
Resilience	0,15 W @ 50 °C
Resistance characteristic	linear
Power supply	30 VDC
Linearity	± 3 %

Mechanical data

Angle of activation	32° in all directions
Lifetime/movement	> 1 million
Actuating force	15 N max.
Impact resistance	200 N

Operating conditions

Environmental protection	IP65
Operating temperature	-20 °C to +70 °C



Joystick options

Available screenings (mantissas)

Joystick MSA1 SMJ, black



proportional

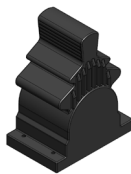
2-stage (2-0-2)

3-stage (3-0-3)

4-stage (4-0-4)

5-stage (5-0-5)

proportional, resting



proportional, with bellow

2-stage (2-0-2), with bellow

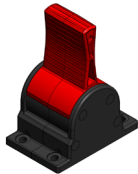
3-stage (3-0-3), with bellow

4-stage (4-0-4), with bellow

5-stage (5-0-5), with bellow

proportional, resting, with bellow

Joystick MSA1 SMJ, red



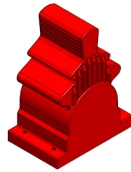
proportional

2-stage (2-0-2)

3-stage (3-0-3)

4-stage (4-0-4)

5-stage (5-0-5)



proportional, with bellow

2-stage (2-0-2), with bellow

3-stage (3-0-3), with bellow

4-stage (4-0-4), with bellow

5-stage (5-0-5), with bellow