

Joystick MSA2 SMJ, two axis

(Part-No. 2.257.2xxx)



- Small, handy, compact and robust
- Protection class IP65
- Exact switch step
- Bearing arrangement via elastomer joint, optionally also as ball joint (single seal)
- Double seal – still water and dust tight even if the bellows is damaged (elastomer joint only)
- Ergonomic control knob, optionally flattened ball form
- Suitable for small installation spaces
- Industrial joystick for machines, robots, etc.
- SMJ-Technology – Joystick change without special tools

Technical data

Electrical data

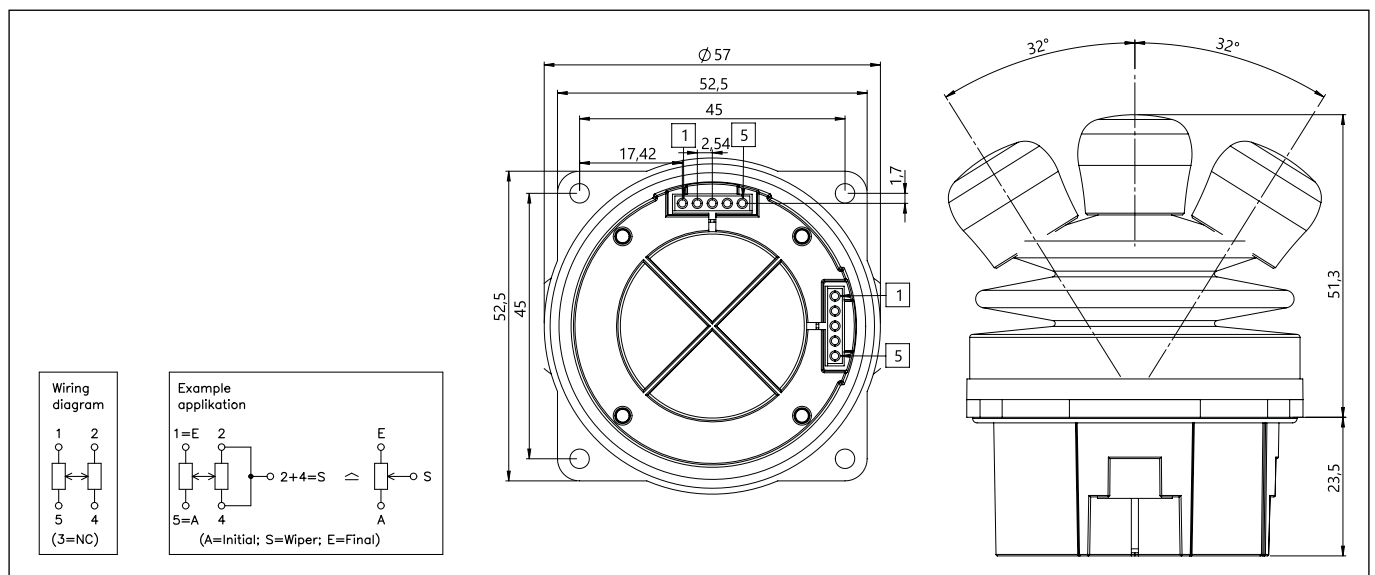
Resistance values	5 k Ω (1 + 5/2 + 4)
Resistance tolerance	\pm 30 %
Resilience	0,15 W @ 50 °C
Resistance characteristic	linear
Power supply	30 VDC
Linearity	\pm 3 %

Mechanical data

Angle of activation	32° in all directions
Lifetime/movement	> 1 million
Actuating force	15 N max.
Impact resistance	200 N




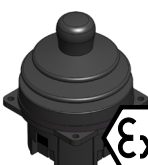
Operating conditions

Environmental protection	IP65
Operating temperature	-20 °C to +70 °C



Joystick options

Available screenings (mantissas)

	proportional
	20/20, 0/20, 20/0
	30/30, 0/30, 30/0, 30/40
	40/40, 0/40, 40/0
	60/60, 0/60, 60/0
	proportional, control knob (ball flattened)
	20/20, 0/20, 20/0, control knob (ball flattened)
	30/30, 0/30, control knob (ball flattened)
	0/40, control knob (ball flattened)
	60/60, 0/60, 60/0, control knob (ball flattened)
	proportional, dead man
	proportional, Ex-protected

Available splitters (elastomer joint)

- Normal slide MSA2
- Cross slide MSA2
- Single slide MS
- Single slide MS
- All-round slide stop limit 25°

Available splitters (ball joint)

- Normal slide MSA2
- Cross slide MSA2