

## Joystick MSA1 SMJ, one axis

(Part-No. 2.257.10xx)



- Small, handy, compact and robust
- Protection class IP65
- Ergonomic control knob
- Suitable for small installation spaces
- Industrial joystick for machines, robots, etc.
- SMJ-Technology – Joystick change without special tools

## Technical data

### Electrical data

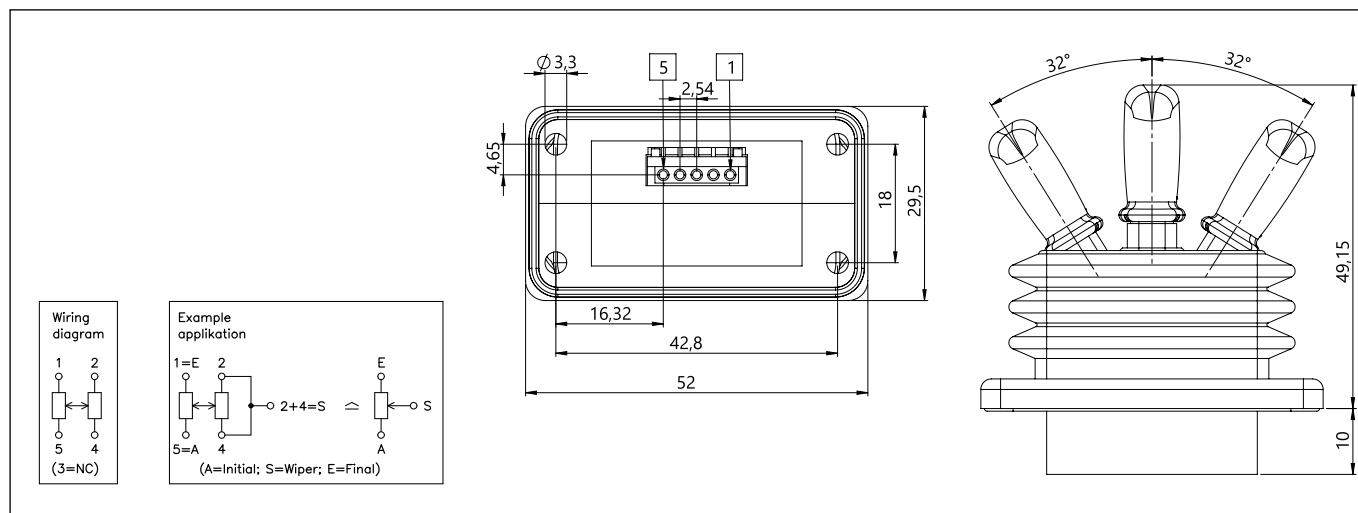
Resistance values	5 kΩ (1 + 5/2 + 4)
Resistance tolerance	± 30 %
Resilience	0,15 W @ 50 °C
Resistance characteristic	linear
Power supply	30 VDC
Linearity	± 3 %

### Mechanical data

Angle of activation	32° in all directions
Lifetime/movement	> 1 million
Actuating force	15 N max.
Impact resistance	200 N

### Operating conditions

Environmental protection	IP65
Operating temperature	-20 °C to +70 °C



## Joystick options

---

### Available screenings (mantissas)



---

proportional

---

2-stage

---

3-stage

---

proportional, resting

---



proportional, Ex-protected

---