



# SPECIFICATION FOR APPROVAL

**CUSTOMER** \_\_\_\_\_

**DESCRIPTION** 433MHz Antenna with BNC Male straight

**PART NO.** CTA 433/0/WS/BM/T2

**DATE** \_\_\_\_\_

<b>DESIGNER</b>		<b>DIRECTOR</b>	
-----------------	--	-----------------	--

Approved by Customer/date:

\_\_\_\_\_



# ANTENNA SPECIFICATIONS FOR APPROVAL

## 1 GENERAL DESCRIPTION

1.1 Type No. : CTA 433/0/WS/BM/T2

1.2 Customer P/N :

## 2 DESCRIPTION & APPLICATION

This antenna assembly is designed for use in 433MHz. Ground Plane Size: 80x30mm

## 3 ELECTRICAL CHARACTERISTICS

Parameter	Description
Frequency Band	433 MHz
Nominal Impedance	50 ohm
Polarization	Vertical
V.S.W.R	2.0 : 1
Antenna Average Gain	0dBi
<b>Mechanical</b>	
Antenna Type	External Antenna
Connector	BNC male
Antenna Dimensions	100mm±3
Antenna Color	Black
Operating Temperature Range	-20°C~+70°C
Storage Temperature Range	-30°C~+70°C
Waterproof	IP65-rating



## 4 PACKING STYLE

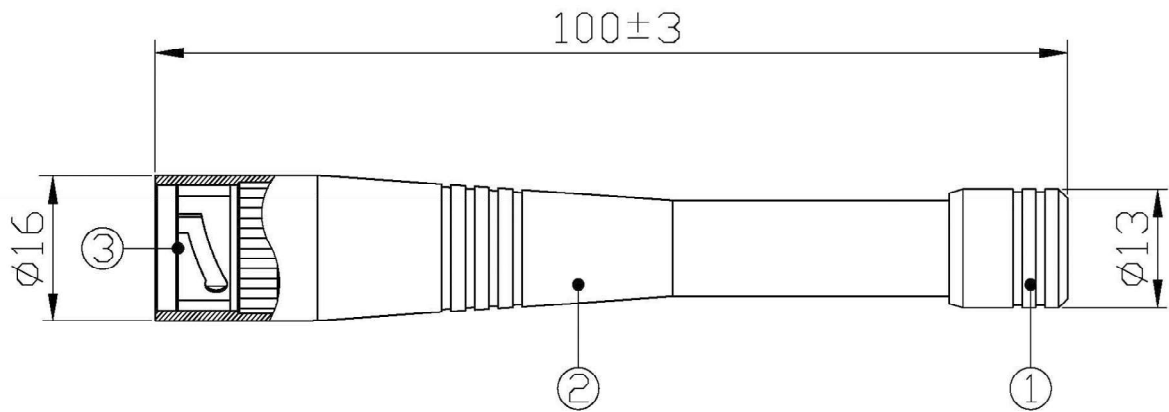
Poly Bag/ each




# ANTENNA SPECIFICATIONS FOR APPROVAL

**5. DRAWING:**

NO.	NAME	MATERIAL	FINISH	Q, TY
01	TOP Cap	POM	Black	01
02	Core tube	TPU	Black	01
03	BNC 180° (Male)	Brass	Nickel plating	01



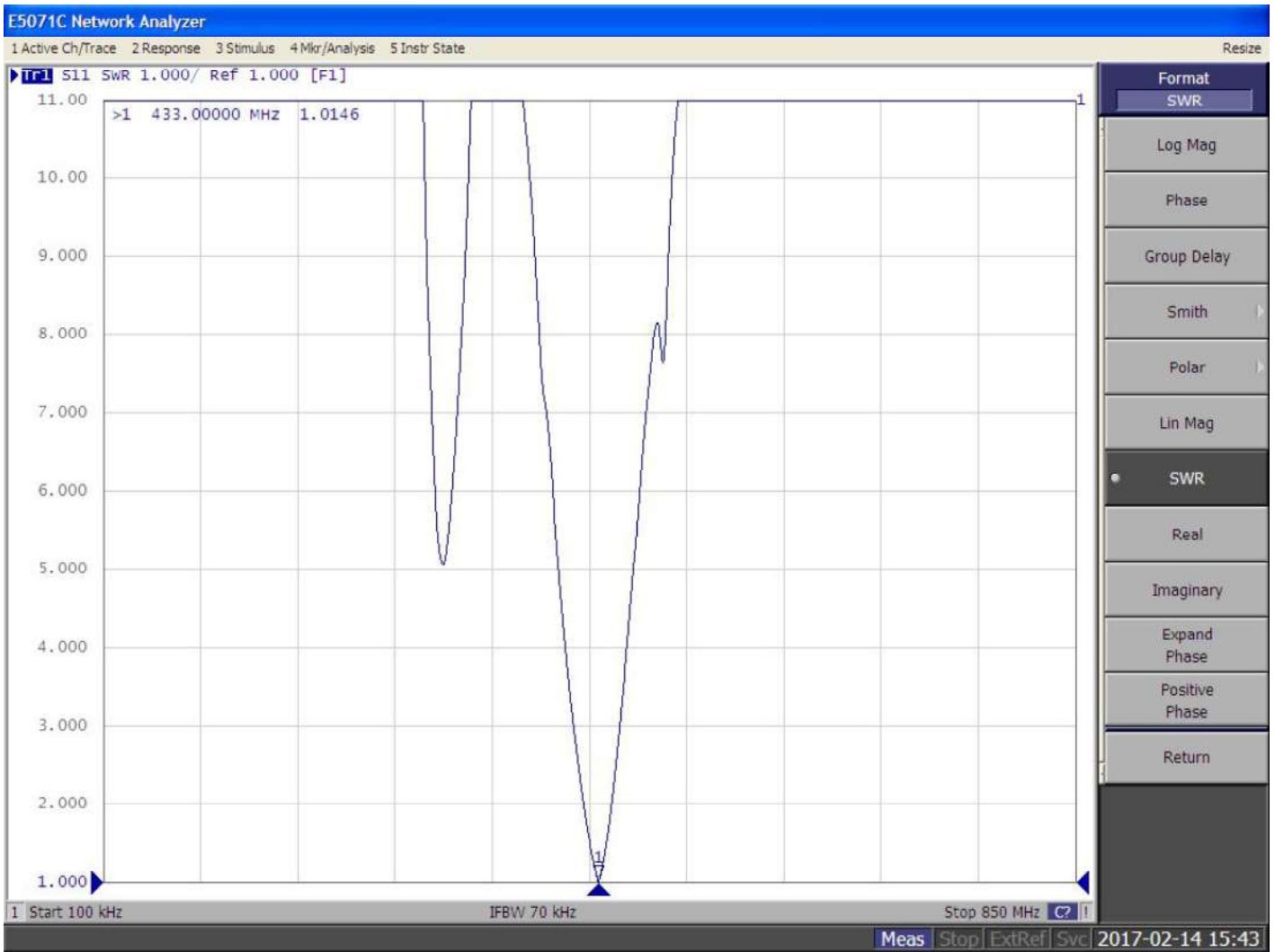
註:1. Ground Plane 80mm\*30mm.  
2. 1/8WAVE

 Third angle projection	CUSTOMER'S	MODEL	PARTS NUMBER	FREQUENCY	UNIT	SCALE	DATE	VERSION
					433MHz	M/M		20171128
	TOLERANCE	X. X±0.3	NAME	PARTS NUMBER	APPROVED	CHECKED	DRAWING	DESIGNED
	SURFACE ROUGHNESS	$\sqrt{S}$	APPEARANCE					

# ANTENNA SPECIFICATIONS FOR APPROVAL

## 6. TEST- VSWR

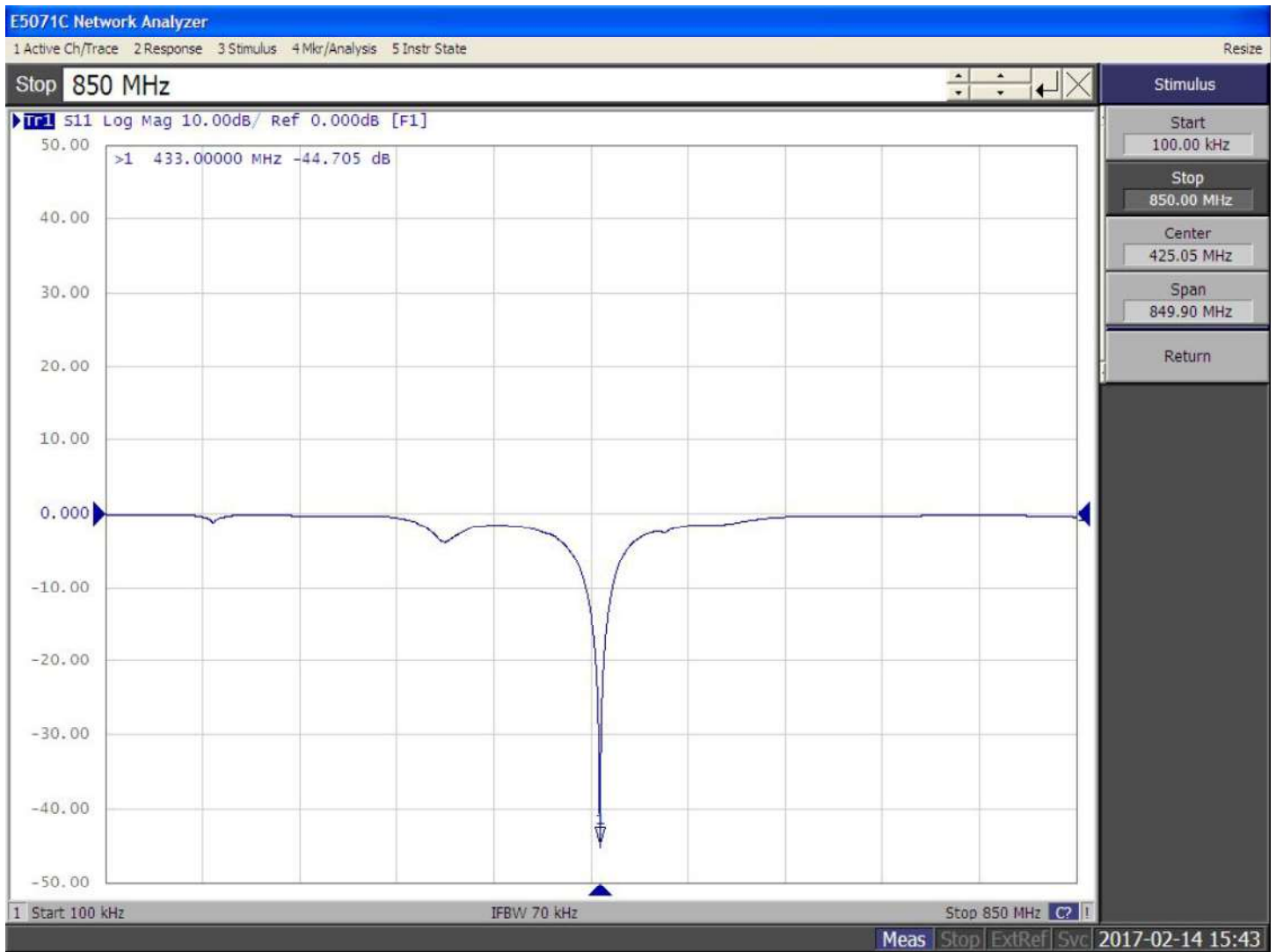
TEST GROUND SIZE: 80X30MM



# ANTENNA SPECIFICATIONS FOR APPROVAL

## 7. TEST- Return Loss

TEST GROUND SIZE: 80X30MM



# ANTENNA SPECIFICATIONS FOR APPROVAL

## 8. TEST- Smith Chart

TEST GROUND SIZE: 80X30MM

