



CompoTEK

SPECIFICATION FOR APPROVAL

CUSTOMER _____

DESCRIPTION 868MHz Antenna with BNC Male straight

PART NO. CTA 868/0/WS/BM/T1

DATE _____

DESIGNER		DIRECTOR	
-----------------	--	-----------------	--

Approved by Customer/date:



ANTENNA SPECIFICATIONS FOR APPROVAL

1 GENERAL DESCRIPTION

- 1.1 Type No. : CTA 868/0/WS/BM/T1
 1.2 Customer P/N :

2 DESCRIPTION & APPLICATION

This antenna assembly is designed for use in 868MHz. Ground Plane Size: 80x30mm

3 ELECTRICAL CHARACTERISTICS

Parameter	Description
Frequency Band	868 MHz
Nominal Impedance	50 ohm
Polarization	Vertical
V.S.W.R	2.0 : 1
Antenna Average Gain	0dBi
Mechanical	
Antenna Type	External Antenna
Connector	BNC male
Antenna Dimensions	100mm±3
Antenna Color	Black
Operating Temperature Range	-20°C~+70°C
Storage Temperature Range	-30°C~+70°C
Waterproof	IP65-rating

4 PACKING STYLE

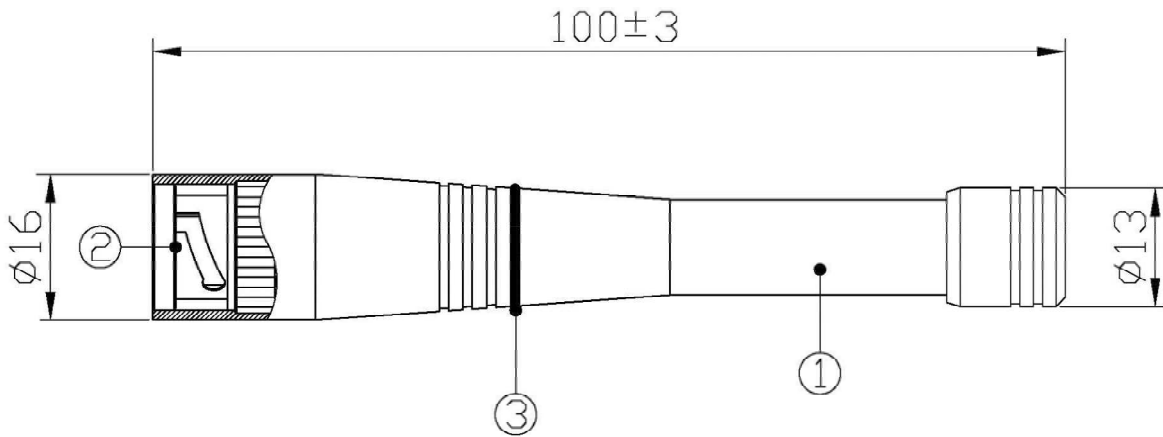
Poly Bag/ each



ANTENNA SPECIFICATIONS FOR APPROVAL




5. DRAWING:

NO.	NAME	MATERIAL	FINISH	Q, TY
01	TOP Cap	POM	Black	01
02	Core tube	TPU	Black	01
03	BNC 180° (Male)	Brass	Nickel plating	01
04	O-Ring	Rubber	Red	01



註: 1. Ground Plane 80mm*30mm.

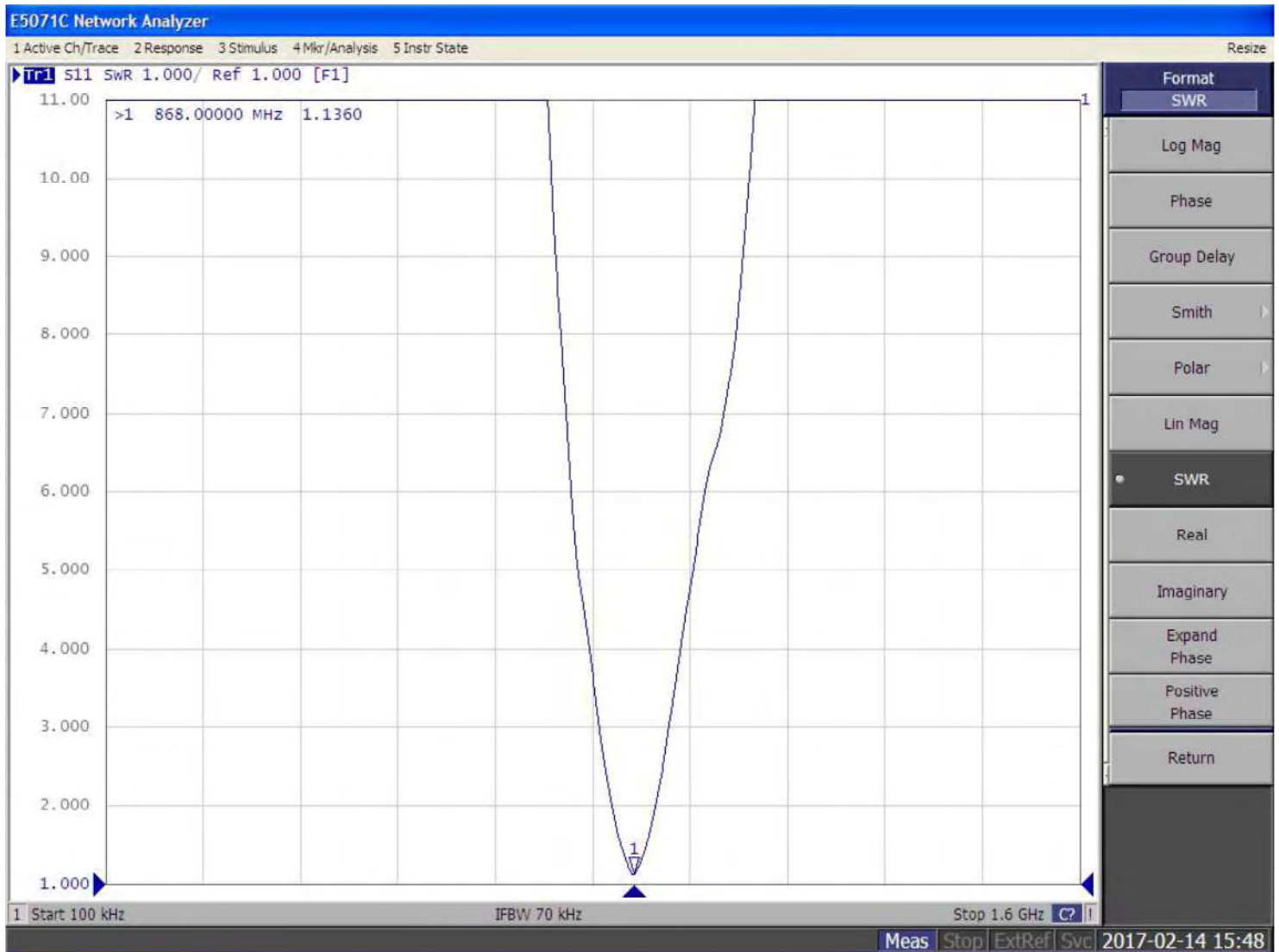
2. 1/4 WAVE

 Third angle projection		CUSTOMER'S	MODEL	PARTS NUMBER	FREQUENCY	UNIT	SCALE	DATE	VERSION
	TOLERANCE	X. X±0.3	NAME	PARTS NUMBER	APPROVED	CHECKED	DRAWING	DESIGNED	
SURFACE ROUGHNESS		APPEARANCE							

ANTENNA SPECIFICATIONS FOR APPROVAL

6. TEST- VSWR

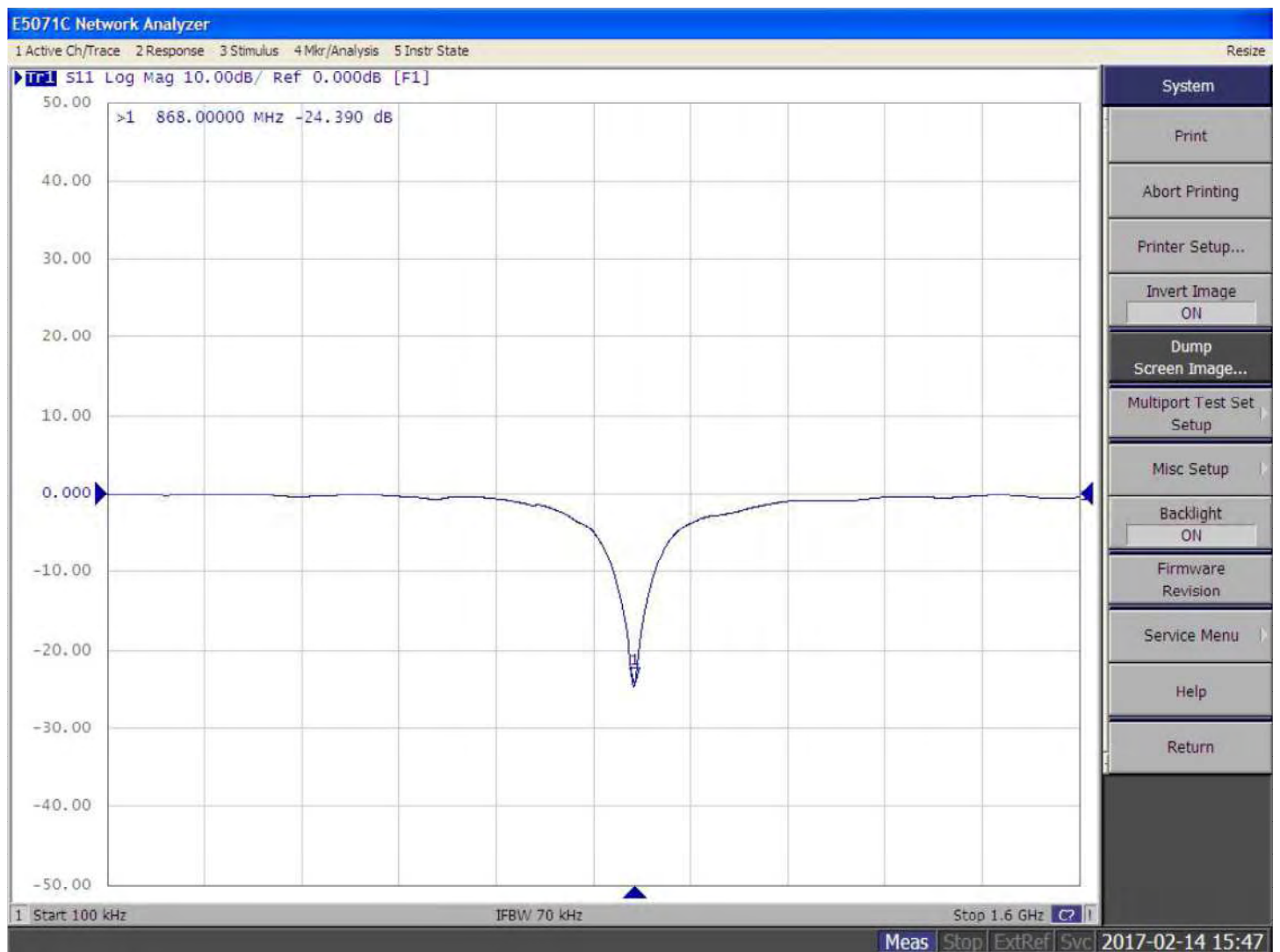
TEST GROUND SIZE: 80X30MM



ANTENNA SPECIFICATIONS FOR APPROVAL

7. TEST- Return Loss

TEST GROUND SIZE: 80X30MM



ANTENNA SPECIFICATIONS FOR APPROVAL

8. TEST- Smith Chart

TEST GROUND SIZE: 80X30MM

